

**Series 4, Free-standing fridge-freezer with freezer at bottom, 186 x 60 cm, White
KGN362WDFG**



Included accessories

3 x egg tray
1 x ice cube tray

NoFrost bottomfreezer : no need to defrost your freezer

- **NoFrost:** you'll never have to defrost your fridge-freezer again.
- **Perfect Fit:** place your fridge right next to walls and other appliances to save space.
- **VitaFresh XXL Pro near 0°C:** climate-controlled compartments lock in freshness and nutrients for longer.
- **2 cooling circuits:** separately controllable refrigerator and freezer compartments - prevents odour transfer.
- **Super Cooling function:** cools new food placed inside faster, thus protecting already cooled food.

Technical Data

Energy Efficiency Class: D

Average annual energy consumption in kilowatt hour per year (kWh/a): 199 kWh/a

Sum of volume of frozen compartments: 103 l

Sum of volume of chill compartments: 218 l

Airborne acoustical noise emissions : 35 dB(A) re 1 pW

Airborne acoustical noise emission class: B

Construction type: Free-standing

Door panel options: Not possible

Height: 1860 mm

Width of the appliance: 600 mm

Depth of the product: 665 mm

Net weight: 64.8 kg

Fuse protection: 13 A

Door hinge: Right reversible

Voltage: 220-240 V

Frequency: 50 Hz

Length of electrical supply cord: 240.0 cm

Number of compressors: 1

Number of independent cooling systems: 2

Interior ventilator: No

Reversible Door Hinge: Yes

Number of Adjustable Shelves in fridge compartment (Stck): 2

Shelves for Bottles: Yes

Installation type: N/A



Series 4, Free-standing fridge-freezer with freezer at bottom, 186 x 60 cm, White KGN362WDFG

NoFrost bottomfreezer : no need to defrost your freezer

Performance and Consumption

- EU19_EEK_D: D
- Total Volume : 321 l
- Net Fridge Volume : 218 l
- Net Freezer Volume : 103 l
- Freezing capacity 24h : 9.5 kg
- Annual Energy Consumption: 199 kWh/a
- Noise Level : 35 dB , EU19_Noise emission class_D: B
- Climate Class: SN-T
- EU19_Fast freezer facility_D
- Temperature rise time : EU19_Temperature rise time_D: 14 H

Design features

- Standard door White
- White doors and white side panels
- Integrated vertical handle

Functions

- Bright interior LED fridge light in fridge section
- Separate, electronic temperature control with LED display
- Two separate cooling circuits allow independent temperature control and prevents the transference of humidity between the fridge and freezer cavity
- Super Cooling: automatic deactivation
- Optical and accoustical
- Freezer malfunction warning signal: optical and acoustical warning system
- Right hinged door, door reversible

Freshness System

- MultiAirflow system - improves circulation of air around the fridge
- 1 VitaFresh drawer - Fish and meat stay fresh for longer
- 1 VitaFresh drawer with humidity control - Fruits and vegetables retain vitamins and stay fresh for longer

Dimension and installation

- Dimensions: 186 cm H x 60 cm W x 66.5 cm D
- Height adjustable front feet
- 220 - 240 V

Key features - Fridge section

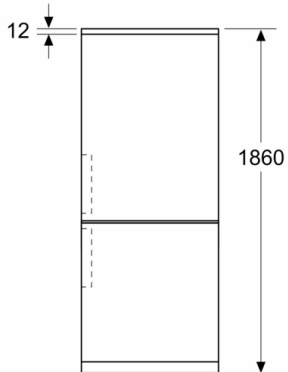
- White glossy back wall
- Door shelves in fridge door: 1 large and 2 small.
- 4 safety glass shelves (2 height adjustable)
- Metal bottle rack
- 3 x egg tray, 1 x ice cube tray

Key features - Freezer section

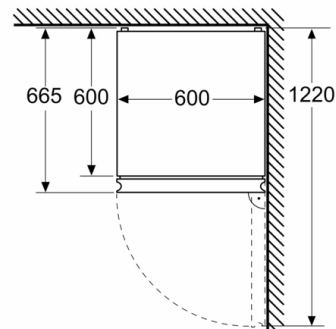
- 3 freezer drawers
- Based on the results of the standard 24-hour test. Actual consumption depends on usage/position of the appliance.
- 4 safety glass shelves of which 2 are height adjustable

**Series 4, Free-standing fridge-freezer with
freezer at bottom, 186 x 60 cm, White
KGN362WDFG**

Measurements in mm



Measurements in mm



Measurements in mm

