

iQ100, Built-in fridge-freezer with freezer at bottom, 177.2 x 54.1 cm, flat hinge KI85NNFF0G



- ✓ noFrost – Never defrost your freezer again.
- ✓ The fruit and vegetables stay crispy in the Fresh Box with wavy bottom.
- ✓ autoAirflow – Even cooling keeps food fresh for longer.
- ✓ superFreezing – Quick-freeze even large amounts of food.
- ✓ LED light – Ample, even lighting helps you check what's in your fridge faster.

Features

Technical Data

Energy Efficiency Class: F
 Average annual energy consumption in kilowatt hour per year (kWh/a): 298 kWh/annum
 Sum of volume of frozen compartments: 99 l
 Sum of volume of chill compartments: 150 l
 Airborne acoustical noise emissions : 39 dB(A) re 1 pW
 Airborne acoustical noise emission class: C
 Construction type: Built-in
 Door panel options: Possible but accessory
 Height: 1772 mm
 Width of the appliance: 541 mm
 Depth of the product: 548 mm
 Min. required niche size for installation (HxWxD): 1775.0 x 560 x 550 mm
 Net weight: 53.0 kg
 Fuse protection: 10 A
 Door hinge: Right reversible
 Voltage: 220-240 V
 Frequency: 50 Hz
 Length of electrical supply cord: 230 cm
 Number of compressors: 1
 Number of independent cooling systems: 1
 Interior ventilator: No
 Reversible Door Hinge: Yes
 Number of Adjustable Shelves in fridge compartment (Stck): 2
 Shelves for Bottles: No
 Frost free system: Freezer
 Installation type: Full-integrated
 Type of hinge: Flush-folding

Included accessories

- 3 x egg tray
- 1 x ice cube tray



iQ100, Built-in fridge-freezer with freezer at bottom, 177.2 x 54.1 cm, flat hinge KI85NNFF0G

Features

- EU19_Fast freezer facility_D
- Built-in fridge-freezer combination
- Fixed hinge, softClosing door: No

Functions

- easy Installation
- Bright interior LED fridge light

Design features

- Electronic control (LED chain)
- Super Cooling: No
- superFreeze function with automatic deactivation
- optical, acoustic for Fridge and Freeze

Design features

- 3 safety glass shelves in fridge compartment of which 2 are height adjustable
- 2 door trays, including 0x dairy compartment
- 1 removable door storage compartments.

Freshness System

- 1 vegetable/salad container
-

Food freshness system

- 4 transparent freezer drawers, 0

Dimension and installation

- Dimensions: 177.2 cm H x 54.1 cm W x 54.8 cm D
- Niche Dimensions: 177.5 cm H x 56 cm W x 55 cm D

Key features - Fridge section

- Right hinged door, door reversible
- 220 - 240 V

Key features - Freezer section

- 3 x egg tray, 2 x ice cube tray

Country Specific Options

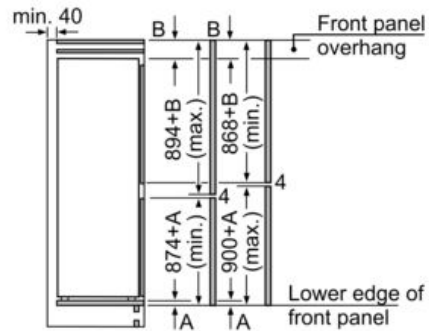
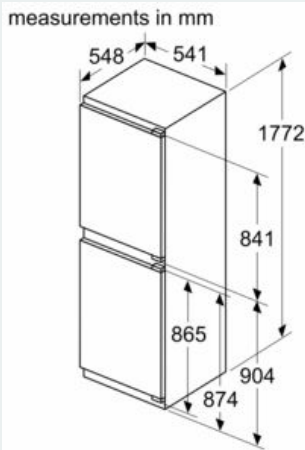
- Based on the results of the standard 24-hour test. Actual consumption depends on usage/position of the appliance.

Performance and Consumption

- EU19_EEK_D: F
- Total Volume : 249 l
- Net Fridge Volume : 150 l
- Net Freezer Volume : 99 l
- Freezing capacity 24h : 5.5 kg
- Annual Energy Consumption: 298 kWh/a
- Climate Class: SN-ST
- Noise Level : 39 dB , EU19_Noise emission class_D: C
- Temperature rise time : EU19_Temperature rise time_D: 10 H

**iQ100, Built-in fridge-freezer with freezer at bottom, 177.2 x 54.1 cm, flat hinge
KI85NNFF0G**

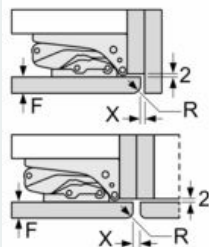
Dimensioned drawings



The specified unit door dimensions are valid for a door gap of 4 mm.

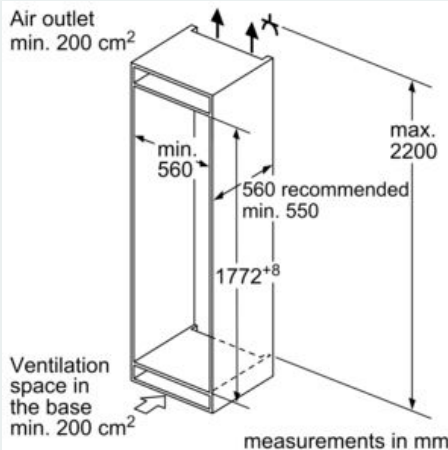
measurements in mm

measurements in mm
Recommended gap dimensions for flat hinges



F	R	X
16-19	0-3	2.5
20	0-1	3
	2-3	2.5
21	0-1	3
	2-3	2.5
22	0	4
	1	3.5
	2-3	3

The gap dimensions recommended in the table must be adhered to in order to ensure that appliance doors do not collide with anything when they are opened, and to avoid causing damage to kitchen units.



Maximal permissible weight of the unit fronts

Filled unit fronts that exceed the permissible weight may cause damage and result in functional impairment of the hinges.

Δ Weight
A: Appliance door height including hinges in mm

B: Undamped hinge, unit front in kg
C: Damped hinge, unit front in kg
D: Additional possible load in kg with heavy load kit

A	B	C	D
1500-1750	22	22	B+5 / C+5
720-1400	19	19	
A1	15	19	
A2	15	19	

