

Series 4, Washing machine, front loader, 8 kg, 1400 rpm, Silver inox WAN282X2GB



Automatic washing machine with EcoSilence Drive™: quiet operation and durability that you can rely on.

- **ActiveWater Plus:** For highly efficient use of water even with smaller loads thanks to automatic load detection.
- **SpeedPerfect:** perfectly clean in up to 65% less time*.
- **Reload function:** forgot an item? Add it easily to the wash.
- **EcoSilence Drive™:** quiet and energy-efficient drive, with a 10-year warranty.
- **Hygiene Plus:** hygienic washing, effectively killing germs even at 40°.

Technical Data

Energy Efficiency Class:	C
Weighted energy consumption in kWh per 100 washing cycles of eco 40-60 programme:	62 kWh
Maximum capacity in kg:	8.0 kg
The water consumption of the eco programme in liters per cycle:	47 l
Duration of eco 40-60 programme in hours and mins at rated capacity:	3:26 h
Spin-drying efficiency class of eco 40-60 programme:	B
Airborne acoustical noise emission class:	B
Airborne acoustical noise emissions :	75 dB(A) re 1 pW
Installation type:	Freestanding
Height of removable worktop:	-2 mm
Dimensions of the product:	848 x 598 x 550 mm
Net weight:	68.9 kg
Connection rating:	2300 W
Fuse protection:	10 A
Voltage:	220-240 V
Length of electrical supply cord:	210.0 cm
Door hinge:	Left
Wheels:	No
EAN code:	4242005347841
Installation type:	Free-standing

Optional accessories

- WMZ2200 Floor securing component
- WMZ2381 Extension for cold water inlet /Aquastop
- WMZPW20W Platform with pull-out, washer, cubic



Series 4, Washing machine, front loader, 8 kg, 1400 rpm, Silver inox WAN282X2GB

Automatic washing machine with EcoSilence Drive™: quiet operation and durability that you can rely on.

- silver inox Edition

Performance

- Energy Efficiency Class¹: C
- Energy² / Water³: 62 kWh / 47 litres
- Load capacity: 1 - 8 kg
- Programme duration⁴: 3:26 h:min
- Spin drying efficiency class: B
- Spin speed^{**}: 0 - 1400 rpm
- Noise level: 75 dB (A) re 1 pW
- Noise efficiency class: B

Programmes/functions

- Standard programmes: cottons, easy care, delicates, wool hand wash
- Special programmes: Down Wear, Outdoor, Shirts, Mixed Load, Super Quick 15/30, Drum clean with reminder, jeans/dark laundry, Wool/Handwash, Delicate/Silk programme

Key features

- Touch control buttons: Prewash, Rinse Plus, Ready in, Temperature selection, SpeedPerfect, start/pause with reload function, Spin speed reduction

Additional features

- Reload function: Flexibility to add or remove laundry items of any size even after start of the wash cycle.
- Large display for temperature, spin speed, remaining time, 24 hours end time delay and load recommendation
- Usage meter: counts completed programmes
- Drum volume: 55 litres
- Aqua Protection
- Fully electronic control dial for all wash and special programmes
- EcoSilence drive with 10 year warranty
- EcoSilence drive with 10 year warranty
- ActiveWater Plus: for highly efficient use of water even with smaller loads thanks to automatic load detection.
- AntiVibration Design - for more stability and quietness
- Foam detection system
- Safeguard monitoring system adjusts load distribution and programme settings to protect clothes
- No
- Buzzer to indicate the end of cycle
- Child lock
- Divider for Liquid Detergent
- Large Silver-inox, black-grey door with 180° opening and 30 cm porthole
- Metal door catch
- Reload facility

Technical Information

- Slide-under installation
- Dimensions (H x W): 84.8 cm x 59.8 cm
- Appliance depth: 55.0 cm
- Appliance depth incl. door: 60.0 cm
- Appliance depth with open door: 101.7 cm

¹ Scale of Energy Efficiency Classes from A to G

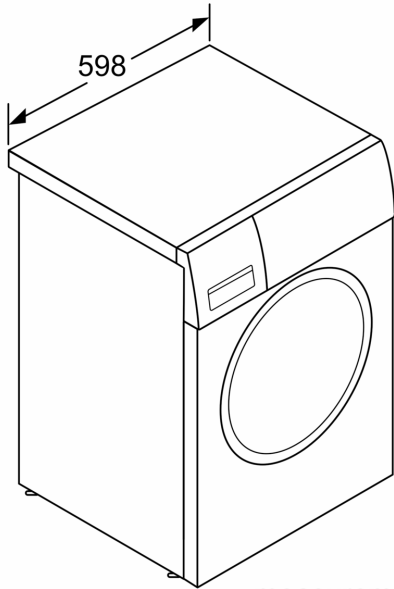
² Energy consumption in kWh per 100 cycles (in programme Eco 40-60)

³ Weighted water consumption in litres per cycle (in programme Eco 40-60)

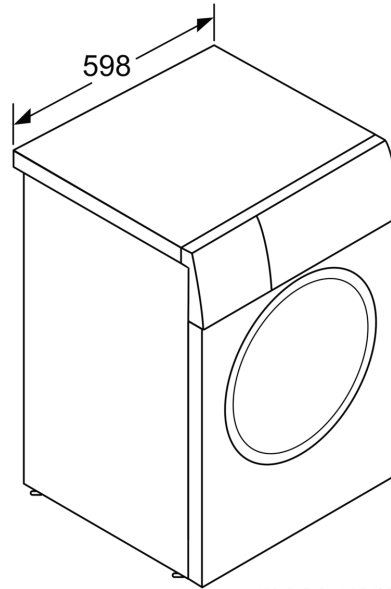
⁴ Duration of Eco 40-60 programme

** Values are rounded.

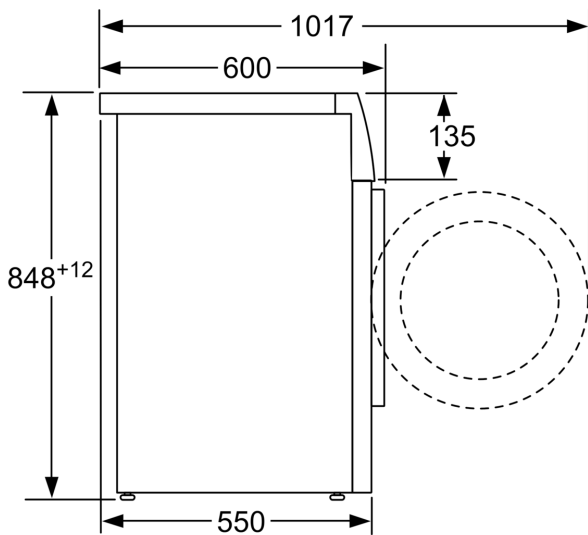
**Series 4, Washing machine, front loader, 8 kg, 1400 rpm, Silver inox
WAN282X2GB**



measurements in mm



measurements in mm



measurements in mm