

**Serie | 6, Washing machine, front loader, 9 kg, 1400 rpm
WGG24409GB**



Perfect results with minimum energy and water consumption, thanks to energy Class A and ActiveWater Plus.

- **SpeedPerfect:** perfectly clean in up to 65% less time*.
- **AntiStain:** reliably removes four of the most common stains.
- **ActiveWater Plus:** For highly efficient use of water even with smaller loads thanks to automatic load detection.
- **EcoSilence Drive™:** quiet and energy-efficient drive, with a 10-year warranty.
- **Best energy class A:** save energy with the most efficient class A.

Technical Data

Energy Efficiency Class: A

Weighted energy consumption in kWh per 100 washing cycles of eco 40-60 programme: 46 kWh

Maximum capacity in kg: 9.0 kg

The water consumption of the eco programme in liters per cycle: 48 l

Duration of eco 40-60 programme in hours and mins at rated capacity: 3:48 h

Spin-drying efficiency class of eco 40-60 programme: B

Airborne acoustical noise emission class: A

Airborne acoustical noise emissions : 71 dB(A) re 1 pW

Construction type: Free-standing

Height of removable worktop: -2 mm

Dimensions of the product: 848 x 598 x 590 mm

Net weight: 73.5 kg

Connection rating: 2300 W

Fuse protection: 10 A

Voltage: 220-240 V

Frequency: 50-60 Hz

Approval certificates: CE, E17D UKCA marking, VDE

Length of electrical supply cord: 210 cm

Door hinge: Left

Wheels: No

EAN code: 4242005307555

Installation type: Free-standing



Serie | 6, Washing machine, front loader, 9 kg, 1400 rpm WGG24409GB

Perfect results with minimum energy and water consumption, thanks to energy Class A and ActiveWater Plus.

Performance

- Energy Efficiency Class¹: A
- Energy² / Water³: 46 kWh / 48 litres
- Load capacity: 1 - 9 kg
- Programme duration⁴: 3:48 h:min
- Spin drying efficiency class: B
- Spin speed^{**}: 400 - 1400 rpm
- Noise level: 71 dB (A) re 1 pW
- Noise efficiency class: A

Programmes/functions

- Touch control buttons: Reduced Ironing option, Ready in, stain selection, start/pause with reload function, Temperature selection, SpeedPerfect, Prewash, Spin speed reduction, Aqua Plus/Rinse Hold
- Standard programmes: cottons, easy care, delicates, wool hand wash
- Special programmes: Drum clean with reminder, Jeans, Drain / Spin, Mixed Load, Sportswear, Single Rinse, Duvet, Super Quick 15/30
- Safeguard monitoring system adjusts load distribution and programme settings to protect clothes

Key features

- SpeedPerfect: perfectly clean in up to 65% less time. ***
- AntiStain - 4 stain removal options at the touch of a button
- Reload function: Flexibility to add or remove laundry items of any size even after start of the wash cycle.
- AntiVibration Design - for more stability and quietness
- EcoSilence drive with 10 year warranty

Additional features

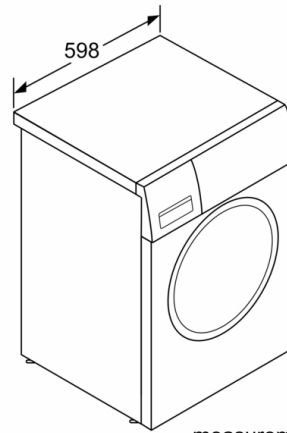
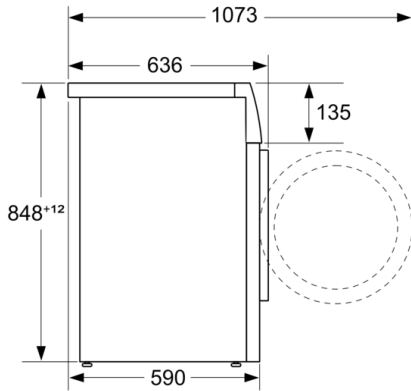
- Large LED-Display for programme status indication, max. spin speed, remaining time and 24 h end time delay and load recommendation
- Hygiene Plus: clean laundry and effective removal of germs
- Drum volume: 63 litres
- VarioDrum: gentle and efficient washing
- Drum clean with reminder function
- ActiveWater Plus: for highly efficient use of water even with smaller loads thanks to automatic load detection.
- AntiStain
- Detergent dispensing: easy clean
- Divider for Liquid Detergent
- Multiple Water Protection
- soft dial
- Foam detection system
- Child lock
- Acoustic signals: Buzzer

Technical Information

- Slide-under installation
- Large black-blackgrey door with 165° opening
- Dimensions (H x W): 84.8 cm x 59.8 cm
- Appliance depth: 59.0 cm
- Appliance depth incl. door: 63.6 cm
- Appliance depth with open door: 107.3 cm
- ¹ Scale of Energy Efficiency Classes from A to G
- ² Energy consumption in kWh per 100 cycles (in programme Eco 40-60)
- ³ Weighted water consumption in litres per cycle (in programme Eco 40-60)
- ⁴ Duration of Eco 40-60 programme
- ^{**} Values are rounded.
- ^{***} Comparison between the program duration of Easy-care 40°C and the program duration of Easy-care 40°C + activated Speed option

**Serie | 6, Washing machine, front loader, 9
kg, 1400 rpm
WGG24409GB**

measurements in mm



measurements in mm