

Series 6, Washing machine, front loader, 9 kg, 1400 rpm WGG244F9GB



Perfect results with minimum energy, water and detergent consumption thanks to energy Class A, i-DOS automatic dosing and ActiveWater Plus.

- **Best energy class A:** save energy with the most efficient class A.
- **Speed Perfect:** get the perfect clean in up to 65% less time.
- **AntiStain:** reliably removes four of the most common stains.
- **i-DOS:** automatically measures the required amount of detergent and water for your cycle.
- **Iron Assist:** reduce wrinkles up to 50%

Technical Data

| | |
|---|--------------------------|
| Energy Efficiency Class: | A |
| Weighted energy consumption in kWh per 100 washing cycles of eco 40-60 programme: | 46 kWh |
| Maximum capacity in kg: | 9.0 kg |
| The water consumption of the eco programme in liters per cycle: | 48 l |
| Duration of eco 40-60 programme in hours and mins at rated capacity: | 3:48 h |
| Spin-drying efficiency class of eco 40-60 programme: | B |
| Airborne acoustical noise emission class: | A |
| Airborne acoustical noise emissions : | 71 dB(A) re 1 pW |
| Built-in / Free-standing: | Freestanding |
| Height of removable worktop: | -2 mm |
| Dimensions of the product: | 848 x 598 x 590 mm |
| Net weight: | 73.5 kg |
| Connection rating: | 2300 W |
| Fuse protection: | 10 A |
| Voltage: | 220-240 V |
| Frequency: | 50-60 Hz |
| Length electrical supply cord: | 210.0 cm |
| Door hinge: | Left |
| Wheels: | No |
| EAN code: | 4242005395439 |
| Installation typology: | Free-standing |

Optional accessories

- WMZ2200 Floor securing component
- WMZ2381 Extension for cold water inlet /Aquastop
- WMZPW20W Platform with pull-out, washer, cubic



Series 6, Washing machine, front loader, 9 kg, 1400 rpm WGG244F9GB

Perfect results with minimum energy, water and detergent consumption thanks to energy Class A, i-DOS automatic dosing and ActiveWater Plus.

Performance

- Energy Efficiency Class¹: A
- Energy² / Water³: 46 kWh / 48 litres
- Load capacity: 1 - 9 kg
- Programme duration⁴: 3:48 h:min
- Spin drying efficiency class: B
- Spin speed^{**}: 400 - 1400 rpm
- Noise level: 71 dB (A) re 1 pW
- Noise efficiency class: A

Programmes/functions

- Standard programmes: cottons, easy care, delicates, wool hand wash
- Series / project: W_F44-CA10-Ahi-i
- Iron Assist: Steam programme that reduces wrinkles on dry clothes
- Special programmes: Automatic Gentle, Drum clean with reminder, Drain / Spin, Mixed Load, Sportswear, Single Rinse, Super Quick 15/30, Hygiene

Key features

- SpeedPerfect: perfectly clean in up to 65% less time. ***
- i-DOS: automatic dosing of liquid detergent and softener
- AntiStain - 4 stain removal options at the touch of a button
- Touch control buttons: Reduced Ironing option, Ready in, stain selection, i-DOS 2.0, start/pause with reload function, Temperature selection, SpeedPerfect, Prewash, Spin speed reduction/Rinse Hold

Additional features

- Reload function: Flexibility to add or remove laundry items of any size even after start of the wash cycle.
- Large LED-Display for programme status indication, max. spin speed, remaining time and 24 h end time delay and load recommendation
- Hygiene Plus: clean laundry and effective removal of germs
- Drum volume: 65 litres
- Usage meter: counts completed programmes
- no
- VarioDrum: gentle and efficient washing
- Drum clean with reminder function
- Large black-blackgrey door with 165° opening
- Reload function: Flexibility in adding laundry items into the drum, even after the wash cycle has started.
- EcoSilence drive with 10 year warranty
- EcoSilence drive with 10 year warranty
- ActiveWater Plus: for highly efficient use of water even with smaller loads thanks to automatic load detection.
- AntiStain
- AntiVibration Design - for more stability and quietness

- Turbidity sensor
- Aqua Protection
- soft dial
- Foam detection system
- Safeguard monitoring system adjusts load distribution and programme settings to protect clothes
- Child lock
- Acoustic signals: Buzzer

Technical Information

- Slide-under installation
- Dimensions (H x W): 84.8 cm x 59.8 cm
- Appliance depth: 59.0 cm
- Appliance depth incl. door: 63.6 cm
- Appliance depth with open door: 107.3 cm

¹ Scale of Energy Efficiency Classes from A to G

² Energy consumption in kWh per 100 cycles (in programme Eco 40-60)

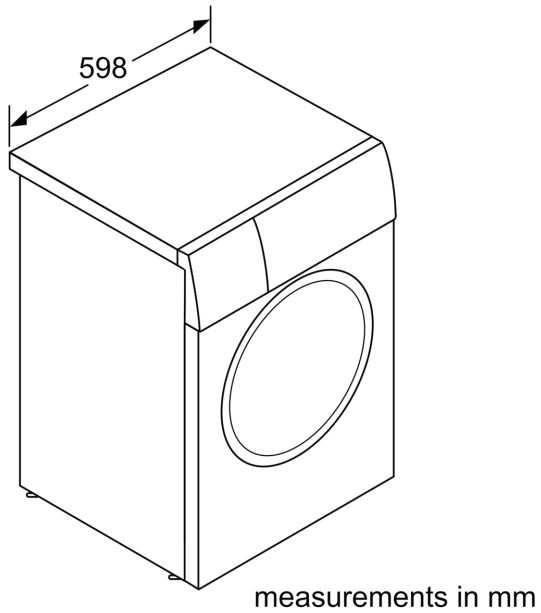
³ Weighted water consumption in litres per cycle (in programme Eco 40-60)

⁴ Duration of Eco 40-60 programme

** Values are rounded.

*** Comparison between the program duration of Easy-care 40°C and the program duration of Easy-care 40°C + activated Speed option

**Series 6, Washing machine, front loader, 9 kg, 1400 rpm
WGG244F9GB**



Measurements in mm

