

**Serie | 4, Fully-integrated dishwasher,  
45 cm  
SPV4EMX21G**



**Better drying performance with the  
connected dishwasher for smart remote  
control.**

- **Home Connect:** home appliances with smart connectivity for an easier everyday life.
- **EfficientDry:** improved drying performance by automatic door opening.
- **VarioFlex-baskets and VarioDrawer:** enhanced flexibility options with more space on all levels.
- **TimeLight:** program status and remaining time clearly displayed on floor in high resolution.
- **Favourite function:** personalized function by just one touch.

**Technical Data**

Energy Efficiency Class: D

Energy Consumption for 100 cycles Eco Programme: 67 kWh

Maximum number of place settings: 10

The water consumption of the eco programme in liters per cycle:  
9.5 l

Programme duration: 3:30 h

Airborne acoustical noise emissions : 45 dB(A) re 1 pW

Airborne acoustical noise emission class: C

Construction type: Built-in

Height of removable worktop: 0 mm

Dimensions of the product (HxWxD): 815 x 448 x 550 mm

Required niche size for installation (HxWxD): 815-875 x 450 x  
550 mm

Approval certificates: CE, VDE

Depth with open door 90 degree: 1150 mm

Adjustable feet: Yes - all from front

Maximum adjustability feet: 60 mm

Adjustable plinth: both horizontal and vertical

Net weight: 30.3 kg

Gross weight: 32.0 kg

Connection rating: 2400 W

Fuse protection: 10 A

Voltage: 220-240 V

Frequency: 50; 60 Hz

Length of electrical supply cord: 175 cm

Plug type: GB plug

Length inlet hose: 165 cm

Length outlet hose: 205 cm

EAN code: 4242005203437

Installation type: Full-integrated

**Optional accessories**

SGZ1010 : inlet and outlet hose extention

SMZ5006 : decorative strips 81cm st.steel



4 242005 203437

## Serie | 4, Fully-integrated dishwasher, 45 cm SPV4EMX21G

### Better drying performance with the connected dishwasher for smart remote control.

#### Performance

- Energy Efficiency Class<sup>1</sup>: D
- Energy<sup>2</sup> / Water<sup>3</sup>: 67 kWh / 9.5 litres
- Capacity: 10 place settings
- Programme duration<sup>4</sup>: 3:30 (h:min)
- Noise level: 45 dB(A) re 1 pW
- Noise Efficiency Class: C
- Noise level (silence programme): 42 dB(A) re 1 pW

#### Programmes / functions

- 6 programmes: Eco 50 °C, Auto 45-65 °C, Intensive 70 °C, Express 65°, Silence 50 °C, Favourite
- Default favourite programme: Pre-Rinse
- 4 special options: Remote Start, EfficientDry, Intensive Zone, SpeedPerfect+
- Machine Care
- Silence on Demand (via app)

#### Flexible design elements

- VarioDrawer - loading of cutlery on 3rd level
- VarioFlex basket system
- Low friction wheels on bottom basket and 3rd loading level
- Rack Stopper to prevent derailing of bottom basket
- 3 stage Rackmatic height-adjustable top basket
- 2 foldable plate racks in top basket
- 2 foldable plate racks in bottom basket
- Upper rack cup shelf
- Lower rack cup shelf
- Glass rack in bottom basket

#### Innovations and technology

- Home Connect ready on WLAN
- EfficientDry and Heat Exchanger
- DosageAssist detergent dispenser
- EcoSilence BLDC drive
- Automatic detergent detection
- Aqua and loading sensor
- AquaMix - Glass protection system

#### Design features

- Push button top edge controls
- DuoPower spray arm in upper basket
- TimeLight - Light projection on the floor
- Time delay (3, 6 or 24 hours)
- Acoustic end of cycle indicator, Time remaining indicator (min), water inlet indicator
- Self-cleaning filter system with 3 piece corrugated filter
- AquaStop: Bosch's warranty in case of water damage - for the lifetime of the appliance. Please find warranty terms under <https://www.bosch-home.co.uk/customer-service/care-protection-and-parts/additional-warranties>
- Large item spray head, steam protection plate
- Stainless steel interior
- Dimensions (HxWxD): 81.5 x 44.8 x 55cm

<sup>1</sup> Scale of Energy Efficiency Classes from A to G

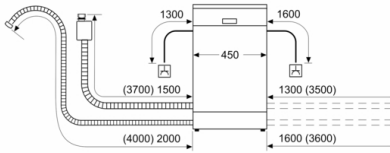
<sup>2</sup> Energy consumption in kWh per 100 cycles (in programme Eco 50 °C)

<sup>3</sup> Water consumption in litres per cycle (in programme Eco 50 °C)

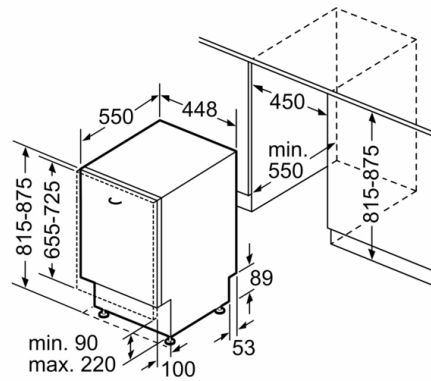
<sup>4</sup> Duration of programme Eco 50 °C

## Serie | 4, Fully-integrated dishwasher, 45 cm SPV4EMX21G

measurements in mm



socket  
( ) values with extension kit



measurements in mm