

**Serie | 2, Built-in oven, 60 x 60 cm,  
Black  
HHF113BA0B**



A



**Included accessories**

1 x insert grid  
1 x combination grid  
1 x universal pan

**Optional accessories**

HEZ625071 : Grill tray, anthracite enamelled  
HEZ915003 : Glass roasting dish, 5,4 L

**The built-in oven with 3D hot air: achieve perfect baking and roasting results on up to three levels simultaneously.**

- **3D Hotair:** even heat distribution for perfect results on up to three levels.
- **Red LED display control:** easy-to-use thanks to the time functions.

**Technical Data**

Color / Material Front : Black  
Construction type : Built-in  
Integrated Cleaning system : No  
Required niche size for installation (HxWxD) : 575-597 x 560-568 x 550 mm  
Dimensions : 595 x 594 x 548 mm  
Dimensions of the packed product (HxWxD) : 670 x 680 x 645 mm  
Control Panel Material : metal lacquered  
Door Material : Glass  
Net weight : 32.199 kg  
Usable volume of cavity : 66 l  
Cooking method : Full width variable grill, Hot Air, Hotair gentle, Hot air grilling  
First cavity material : Other  
Oven control : mechanical  
Number of interior lights : 1  
Approval certificates : CE, VDE  
Length of electrical supply cord : 110 cm  
EAN code : 4242005048328  
Number of cavities (2010/30/EC) : 1  
Energy efficiency rating : A  
Energy consumption per cycle forced air convection (2010/30/EC) : 0.79 kWh/cycle  
Energy efficiency index (2010/30/EC) : 95.2 %  
Connection rating : 2400 W  
Fuse protection : 13 A  
Voltage : 220-240 V  
Frequency : 60; 50 Hz  
Plug type : GB plug



## Serie | 2, Built-in oven, 60 x 60 cm, Black HHF113BA0B

**The built-in oven with 3D hot air: achieve perfect baking and roasting results on up to three levels simultaneously.**

---

### **Design**

- LED-Display Control (Red)
- Rotary dial, round
- Interior halogen light
- Straight bar handle

### **Features**

- Control panel lock
- Automatic start
- Electronic clock timer
- Integral cooling fan
- 5 shelf positions
- Cavity volume: 66 litre

### **Cleaning**

- Full glass inner door

### **Programmes/functions**

- Oven with 4 cooking functions: heating methods: 3D Hotair, Hotair grilling, Hotair gentle, full width variable grill

### **Accessories**

- 1 x universal pan, 1 x combination grid, 1 x insert grid

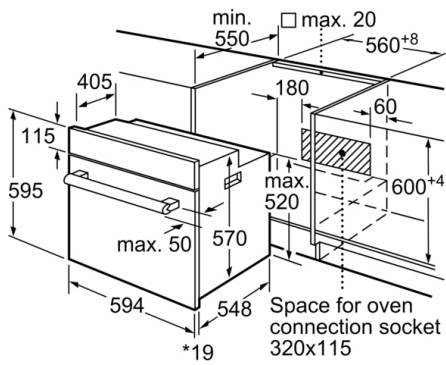
### **Performance/technical information**

- 110 cm Cable length
- Temperature range 50 °C - 275 °C
- Nominal voltage: 220 - 240 V
- Total connected load electric: 2.4 KW
- Appliance dimension (hxwxd): 595 mm x 594 mm x 548 mm
- Niche dimension (hxwxd): 575 mm - 597 mm x 560 mm - 568 mm x 550 mm
- Please refer to the dimensions provided in the installation manual
- Available as an additional accessory

### **Level independent telescopic rails**

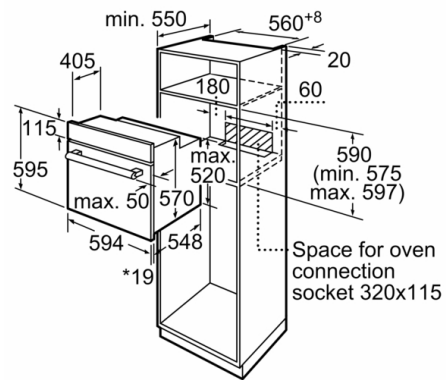
- Extra large capacity oven with grey enamel

**Serie | 2, Built-in oven, 60 x 60 cm, Black  
HHF113BA0B**



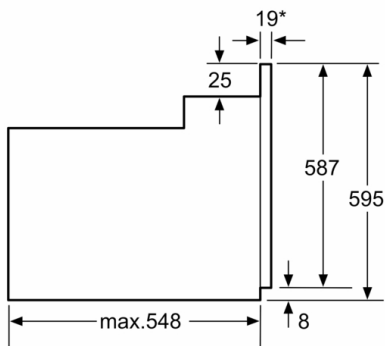
\* 20 mm for metal fascias

measurements in mm



\* 20 mm for metal fascias

measurements in mm



\* 20 mm for metal fascias

Dimensions in mm