

Serie | 4, Washer dryer, 8/5 kg, 1400 rpm
WNA134U8GB



The washer dryer with Iron Assist steam treatment, dries as efficiently as it washes and it also reduces creases. Up to 5kg in one go (wash and dry).

- **AutoDry:** gently dries laundry to exactly the degree of dryness you want.
- **EcoSilence Drive™:** extremely energy-efficient, durable and quiet.
- **Wash & Dry 60:** wash and dry small loads efficiently in just 60 min.
- **Sportswear:** ideal for washing and drying textiles like microfibre, functional fibres and synthetics.
- **SpeedPerfect:** perfectly clean in up to 65% less time.

Technical Data

Energy Efficiency Class Wash/Dry cycle(Regulation (EU) 2017/1369):	E
Energy Efficiency Class Eco 40-60 programme (Regulation (EU) 2017/1369):	C
Weighted energy consumption in kWh per 100 full Wash/Dry cycles (EU 2017/1369):	313
Weighted energy consumption in kWh per 100 washing cycles of eco 40-60 programme (EU 2017/1369):	63
Maximum capacity in kg in a Wash/Dry cycle (EU 2017/1369):	5.0
Maximum capacity in kg in a wash cycle (EU 2017/1369):	8.0
The water consumption of the full wash and dry cycle in liters per cycle (EU 2017/1369):	70
The water consumption of the eco programme in liters per cycle (EU 2017/1369):	41
Duration of the full wash and dry cycle in hours and mins at rated capacity (EU 2017/1369):	7:30
Duration of eco 40-60 programme in hours and mins at rated capacity (EU 2017/1369):	3:32
Spin-drying efficiency class of eco 40-60 programme (EU 2017/1369):	B
Airborne acoustical noise emissions (EU 2017/1369):	70
Airborne acoustical noise emission class (EU 2017/1369):	A
Construction type:	Free-standing
Removable work top:	No
Door hinge:	Left
Length of electrical supply cord (cm):	210
Height of removable worktop (mm):	850
Dimensions of the product (mm):	848 x 598 x 590
Net weight (kg):	70.934
Drum volume (l):	63
EAN code:	4242005250172



4 242005 250172

Serie | 4, Washer dryer, 8/5 kg, 1400 rpm WNA134U8GB

The washer dryer with Iron Assist steam treatment, dries as efficiently as it washes and it also reduces creases. Up to 5kg in one go (wash and dry).

- Wash+Dry 8/5

Performance

- Energy Efficiency Class Wash and Dry¹: E
- Energy Efficiency Class Washing²: C
- Energy³ / Water⁴ Wash and Dry: 313 kWh / 70 litres
- Energy⁵ / Water⁶ Washing: 63 kWh / 41 litres
- Load capacity Wash and Dry / Washing: 1 - 5 kg / 1 - 8 kg
- Programme duration⁷ Wash and Dry / Washing: 7:30 h:min / 3:32 h:min
- Spin drying efficiency class: EU19_spin efficiency class: B
- Spin speed^{**}: 400 - 1400 rpm
- Noise level: 70 dB (A) re 1 pW
- Noise efficiency class: A

Programmes/functions

- Standard programmes for washing: Cottons, Easy-Care, Delicate/Silk programme, Wool/Handwash
- Special programmes washing: Super Quick 15, Mixed Load, Drain / Spin, Sportswear, Single Rinse
- Most common washing programmes can be used as solo-drying programme or as washing and drying in one go programme
- Standard programmes for drying: Cottons, Easy-Care
- Special programmes drying: Refresh, Intensive dry, Low heat, Wash & Dry 60'

Key features

- SpeedPerfect: perfectly clean in up to 65% less time. ***
- Options washing: Easy iron, Spin speed selection, SpeedPerfect, Start / Pause, Temperature selection, Prewash
- Options drying: Drying aim
- Drying options for most wash programmes
- Autodry function, Timed drying programmes

Additional features

- Reload function: Be flexible in adding laundry items even after start of the wash cycle.
- Large LED-Display for programme status indication, max. spin speed, remaining time and 24 h end time delay and load recommendation
- Fully electronic control dial for all wash and special programmes
- Drum volume: 63 litres
- VarioDrum: gentle and efficient washing
- ActiveWater Plus: for highly efficient use of water even with small loads thanks to automatic load detection.
- Large white door with 165° opening
- EcoSilence drive with 10 year warranty
- AntiVibration Design - for more stability and quietness
- Sound insulation by additional noise reduction material
- Maintenance free condenser: automatic fluff removal
- Eltek hose
- Foam detection system
- Overdosage indication
- Safeguard monitoring system adjusts load distribution and programme settings to protect clothes
- Child lock
- Acoustic signals: Buzzer
- Detergent dispensing: From front
- Divider for Liquid Detergent

Technical Information

- Slide-under installation
- Dimensions (H x W): 84.8 cm x 59.8 cm
- Appliance depth: 59.0 cm
- Appliance depth incl. door: 64.9 cm
- Appliance depth with open door: 106.3 cm

^{1 2} Scale of Energy Efficiency Classes from A to G
³ Energy consumption in kWh per 100 complete cycles (in Eco 40-60 programme)

⁴ Water consumption in litres per complete cycle (in Eco 40-60 programme)

⁵ Energy consumption in kWh per 100 washing cycles (in Eco 40-60 programme)

⁶ Weighted water consumption in litres per washing cycle (in Eco 40-60 programme)

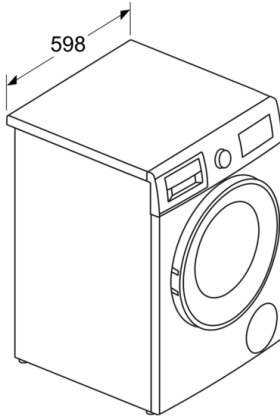
⁷ Duration of Eco 40-60 programme, Wash and Dry cycle / Wash only cycle

** Values are rounded.

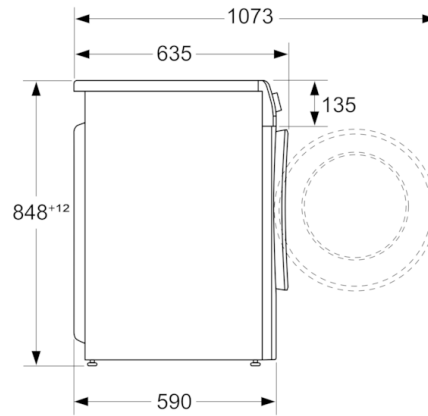
*** Comparison between the program duration of Easy-care 40°C and the program duration of Easy-care 40°C + activated Speed option

**Serie | 4, Washer dryer, 8/5 kg, 1400 rpm
WNA134U8GB**

measurements in mm



measurements in mm



measurements in mm

